

THIS INFORMATION IS CONFIDENTIAL AND PROPRIETARY TO CW INDUSTRIES INCORPORATED, AND ITS AFFILIATES. IT MAY NOT BE DISCLOSED TO ANYONE OTHER THAN CW INDUSTRIES PERSONNEL, WITHOUT WRITTEN AUTHORIZATION FROM CW INDUSTRIES INCORPORATED, SOUTHAMPTON, PENNSYLVANIA USA.

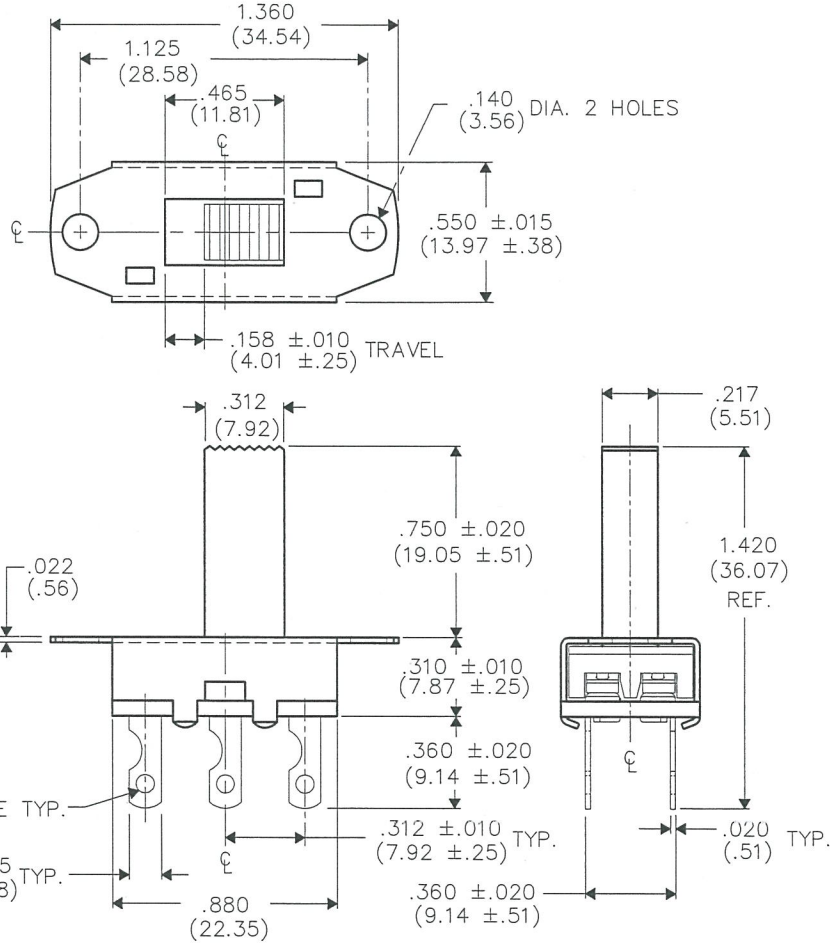
F

D

C

B

A



DIMENSIONS IN INCHES (MILLIMETERS)
DO NOT SCALE DRAWING

Dwg. No.
GF-326-0286

1 2 3 4 5 6 7 8 9 10

B-FORMAT 2002

REVISIONS

| | |
|-----------|-------------|
| RELEASED: | 1-27-2016 |
| DGW | JAN 28 2016 |

CW INDUSTRIES
Southampton, Pa. 18966

TOLERANCES UNLESS OTHERWISE SPECIFIED

| | |
|-----------------------|---------------------|
| 2 Place Decimal ±.010 | METRIC |
| 3 Place Decimal ±.005 | 1 Place Dec. ±.25mm |
| Angles ±1° | 2 Place Dec. ±.13mm |

Made for: CW IND.

Drawn by: DGW 1-27-2016

Checked by: *G. GULD 1-28-16*

Approval: *G. GULD 1-28-16*

Title: **SLIDE SWITCH ASSEMBLY D.P. - D.T.**

Division: **SWITCH**

Dwg. No. **GF-326-0286**

MASTER